

MONO HAVANE

Designed to meet the needs of a wide range of commercial industrial cooling applications, the MONOHAVANE condensing unit line comprises capacities from 5 to 75 kW.

These totally enclosed units are installed outdoors either on the ground or on the roof.

The MONOHAVANE line offers a solution to noise problems (down to 39 dBA at 10 m with the low noise level option), and may be used under extreme outdoor temperature conditions.



Optional features

MISCELLANEOUS

- MAN** HP-LP pressure gauges
- BAC** Suction accumulator
- SHU** Oil separator
- EVL** Solenoid valve (not fitted)
- PRS** Additionnal pressure switch LP
- VFA** Valve + filter on suction
- RLS** High capacity receiver
- GPC** Protection grid under the condenser
- PAV** Silent blocks (not fitted)
- ANM** Lifting lugs (not fitted)

OTHER OPTIONS

Please consult us

Description

CHASSIS / CASING

- Painted sheet metal chassis with enamelled sheet metal casing. Installed outdoors on the ground or roof.

COMPRESSOR

- Semi-hermetic reciprocating (7.5 to 50 HP) with suction and delivery valves, crankcase heater and head cooling fan for negative applications.

CONDENSER

- Standard H5-H6 or H9 Standard with tube end protection casing.

RECEIVER

- With service and safety valves.

LIQUID LINE

- Includes of a filter drier cartridge, sight glass and a shut-off valve.

REGULATION AND CONTROL

- Assured by a HP pressure switch cartridge, an auto LP pressure switch, HP regulation and oil differential pressure switches.

ELECTRICAL ENCLOSURE

- Electrical enclosure: sealed, with circuit-breaker on the side and "power on" light indicator. Outputs and unit protection devices. Designed to accommodate as many cooling outputs as required.
- The enclosure is closed with a 1/4-turn screw. Possibility to latch the door open during service.



Condensing Units

DIMENSIONS, CONNECTIONS & WEIGHTS

STANDARD CONDENSING UNIT

Models	L mm	P mm	H mm	A mm	B mm	C mm	Suction Ø	Liquid Ø	Net weight kg
MONOHV P 75 A	2624	829	1200	1038	2438	773	1" 3/8	5/8"	530
MONOHV P 100 A	2624	829	1200	1038	2438	773	1" 3/8	5/8"	560
MONOHV P 150 A	2624	829	1200	1038	2438	773	1" 5/8	5/8"	565
MONOHV P 200 A	3104	829	1200	1038	2918	773	1" 5/8	5/8"	635
MONOHV P 250 A	3104	829	1200	1038	2918	773	2" 1/8	7/8"	650
MONOHV P 300 A	4004	829	1200	1038	2918	773	2" 1/8	7/8"	700
MONOHV P 350 A	4004	829	1200	1038	2918	773	2" 1/8	7/8"	710
MONOHV P 400 A	4004	829	1200	1038	2918	773	2" 1/8	1" 1/8	713
MONOHV P 500 A	4107	1166	1200	1038	2918	1100	2" 5/8	1" 1/8	927

DIMENSIONS, CONNECTIONS & WEIGHTS

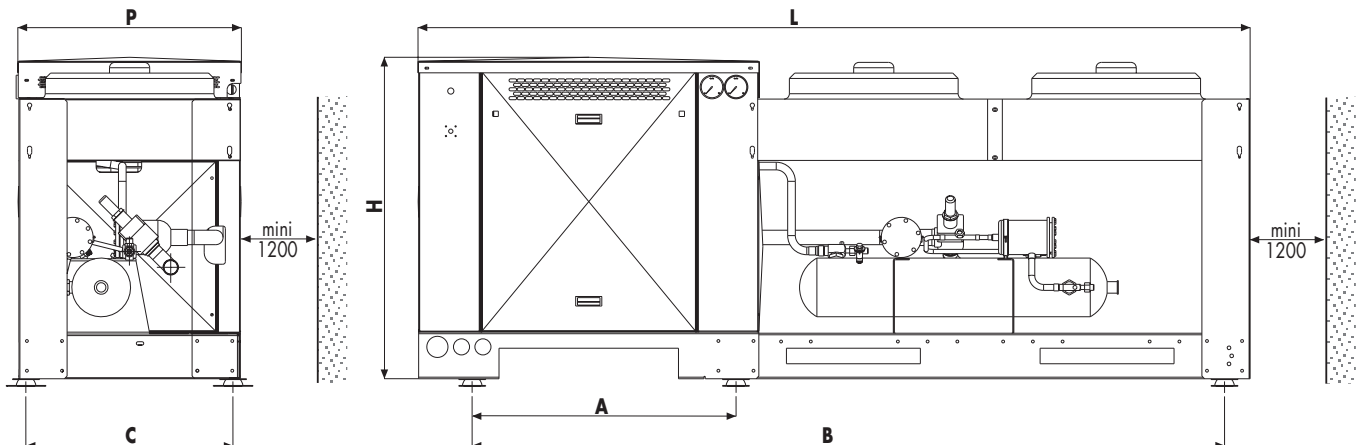
CONDENSING UNIT WITH OVERSIZED CONDENSER

Models	L mm	P mm	H mm	A mm	B mm	C mm	Suction Ø	Liquid Ø	Net weight kg
MONOHV P 75 AS	2624	829	1200	1038	2438	773	1" 3/8	5/8"	547
MONOHV P 100 AS	3104	829	1200	1038	2918	773	1" 3/8	5/8"	583
MONOHV P 150 AS	3104	829	1200	1038	2918	773	1" 5/8	5/8"	588
MONOHV P 200 AS	4004	829	1200	1038	2918	773	1" 5/8	5/8"	684
MONOHV P 250 AS	4004	829	1200	1038	2918	773	2" 1/8	7/8"	699
MONOHV P 300 AS	4107	1166	1200	1038	2918	1100	2" 1/8	7/8"	916
MONOHV P 350 AS	4107	1166	1200	1038	2918	1100	2" 1/8	7/8"	967
MONOHV P 400 AS	4107	1166	1200	1038	2918	1100	2" 1/8	1" 1/8	970
MONOHV P 500 AS	5509	1166	1200	1038	5316	1100	2" 5/8	1" 1/8	1083

DIMENSIONS, CONNECTIONS & WEIGHTS

LOW NOISE CONDENSING UNIT

Models	L mm	P mm	H mm	A mm	B mm	C mm	Suction Ø	Liquid Ø	Net weight kg
MONOHV P 75 ALN	3104	829	1200	1038	2918	773	1" 3/8	5/8"	566
MONOHV P 100 ALN	3104	829	1200	1038	2918	773	1" 3/8	5/8"	579
MONOHV P 150 ALN	4004	829	1200	1038	2918	773	1" 5/8	5/8"	631
MONOHV P 200 ALN	4107	1166	1200	1038	2918	1100	1" 5/8	5/8"	900
MONOHV P 250 ALN	4107	1166	1200	1038	2918	1100	2" 1/8	7/8"	915
MONOHV P 300 ALN	4107	1166	1200	1038	2918	1100	2" 1/8	7/8"	916
MONOHV P 350 ALN	5509	1166	1200	1038	5316	1100	2" 1/8	7/8"	1072
MONOHV P 400 ALN	-	-	-	-	-	-	-	-	-
MONOHV P 500 ALN	-	-	-	-	-	-	-	-	-





Condensing Units

DIMENSIONS, CONNECTIONS & WEIGHTS

STANDARD CONDENSING UNIT

Models	L mm	P mm	H mm	A mm	B mm	C mm	Suction Ø	Liquid Ø	Net weight kg
MONOHV N 80 A	2624	829	1200	1038	2438	773	1" 3/8	5/8"	530
MONOHV N 105 A	2624	829	1200	1038	2438	773	1" 3/8	5/8"	540
MONOHV N 155 A	2624	829	1200	1038	2438	773	1" 5/8	5/8"	590
MONOHV N 205 A	2624	829	1200	1038	2438	773	2" 1/8	7/8"	615
MONOHV N 255 A	2624	829	1200	1038	2438	773	2" 1/8	7/8"	640
MONOHV N 305 A	3104	829	1200	1038	2918	773	2" 1/8	7/8"	655
MONOHV N 405 A	3104	829	1200	1038	2918	773	2" 1/8	7/8"	670

DIMENSIONS, CONNECTIONS & WEIGHTS

CONDENSING UNIT WITH OVERSIZED CONDENSER

Models	L mm	P mm	H mm	A mm	B mm	C mm	Suction Ø	Liquid Ø	Net weight kg
MONOHV N 80 AS	2624	829	1200	1038	2438	773	1" 3/8	5/8"	530
MONOHV N 105 AS	2624	829	1200	1038	2438	773	1" 3/8	5/8"	540
MONOHV N 155 AS	2624	829	1200	1038	2438	773	1" 5/8	5/8"	607
MONOHV N 205 AS	2624	829	1200	1038	2438	773	2" 1/8	7/8"	615
MONOHV N 255 AS	3104	829	1200	1038	2918	773	2" 1/8	7/8"	663
MONOHV N 305 AS	3104	829	1200	1038	2918	773	2" 1/8	7/8"	655
MONOHV N 405 AS	4004	829	1200	1038	2918	773	2" 1/8	7/8"	719

DIMENSIONS, CONNECTIONS & WEIGHTS

LOW NOISE CONDENSING UNIT

Models	L mm	P mm	H mm	A mm	B mm	C mm	Suction Ø	Liquid Ø	Net weight kg
MONOHV N 80 ALN	2624	829	1200	1038	2438	773	1" 3/8	5/8"	530
MONOHV N 105 ALN	2624	829	1200	1038	2438	773	1" 3/8	5/8"	557
MONOHV N 155 ALN	3104	829	1200	1038	2918	773	1" 5/8	5/8"	626
MONOHV N 205 ALN	4004	829	1200	1038	2918	773	2" 1/8	7/8"	681
MONOHV N 255 ALN	4004	829	1200	1038	2918	773	2" 1/8	7/8"	706
MONOHV N 305 ALN	4107	1166	1200	1038	2918	1100	2" 1/8	7/8"	920
MONOHV N 405 ALN	4107	1166	1200	1038	2918	1100	2" 1/8	7/8"	935

